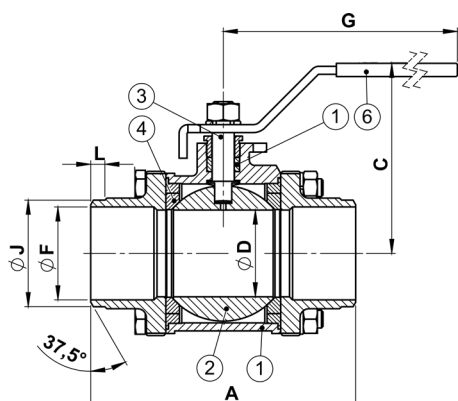
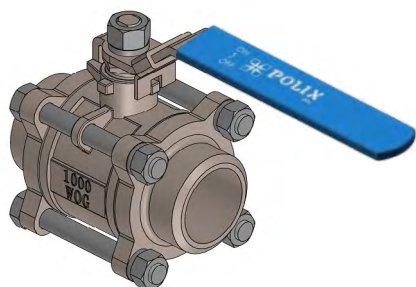


KPI IZ NERJAVNEGA JEKLA, UVARNA / KPI STAINLESS STEEL, WELDED

// Polni pretok / Full bore



Materiali / Materials

1	Ohišje Body	Nerjavno jeklo – 1.4408 (GX5CrNiMo 19-11-2) A316 Stainless steel – 1.4408 (GX5CrNiMo 19-11-2) A316
2	Krogla Ball	Nerjavno jeklo – 1.4408 (GX5CrNiMo 19-11-2) A316 Stainless steel – 1.4408 (GX5CrNiMo 19-11-2) A316
3	Vreteno Stem	Nerjavno jeklo – 1.4408 (GX5CrNiMo 19-11-2) A316 Stainless steel – 1.4408 (GX5CrNiMo 19-11-2) A316
4	Tesnilo krogle Ball seats	PTFE
5	Tesnilo vretena Stem seal	PTFE
6	Ročica Handle	Nerjavno jeklo – 1.4301 (X5CrNi 18 10) A304 Stainless steel – 1.4301 (X5CrNi 18 10) A304

Navor / Torque

DN	Maks. navor Max torque P = 16 bar T = 20°C	Maks. navor Max torque P = 40 bar T = 20°C
	[Nm]	[Nm]
10	5	-
15	6	10
20	8	15
25	15	20
32	20	30
40	25	40
50	35	55
65	45	80
80	60	100
100	90	150

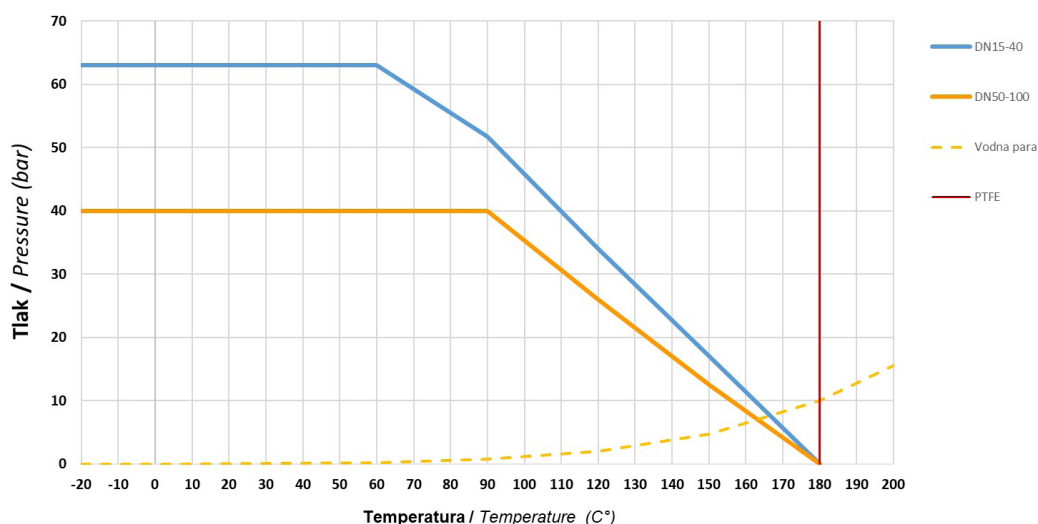
Opombe: Navori so bili izmerjeni s čisto vodo pri sobni temperaturi na ventilih s PTFE tesnili. Navor se lahko poveča pri ventilih, ki imajo tesnila iz drugačnih materialov, pri merjenju z različnimi tekočinami, višjimi temperaturami, posebnimi obratovalnimi pogoji in/ali v primeru, da je ventil dlje časa pod diferenčnim tlakom, ne da bi obratoval.

Remarks: The torques were measured on valves supplied with virgin PTFE seats, with clean water at room temperature. For valves with other seat materials, different fluids, higher temperatures, specific operating conditions and/or in case the valve is kept for a long time under differential pressure without being operated, the torque can increase.

// Delovna temperatura / Working temperature: -20 °C/+180 °C

Diagram tlak I temperatura / Pressure I temperature chart

Diagram Tlak/Temperatura / Pressure/Temperature chart
Krogelne pipe / Ball valves
KPI



PTFE (Max 200 °C)

KPI DN ... PN63 DU PX PX

PN63

Art.	DN	A	C	G	ØD	ØF	ØJ	Teža / weight [kg]
A958370	10	61	48	104	11	9,5	15,2	0,37
A958371	15	63	50	110	15	15	22	0,43
A958372	20	78	53	110	20	20	27,5	0,57
A958373	25	86	68	145	25	25	34	0,88
A958374	32	97	73	145	32	32	43	1,3
A958375	40	113	86	180	38	38	50	2,12

KPI DN ... PN40 DU PX PX

PN40

Art.	DN	A	C	G	ØD	ØF	ØJ	Teža / weight [kg]
A958376	50	134	94	180	50	50	61	2,85
A958377	65	170	119	223	65	65	77	7,30
A958378	80	192	126	223	76	76	90	9,40
A958379	100	244	168	298	94	101	116	18,04

Opombe

Trodeleno ohišje pritrjeno z vijaki.

Notes

Three-piece body, bolted design.